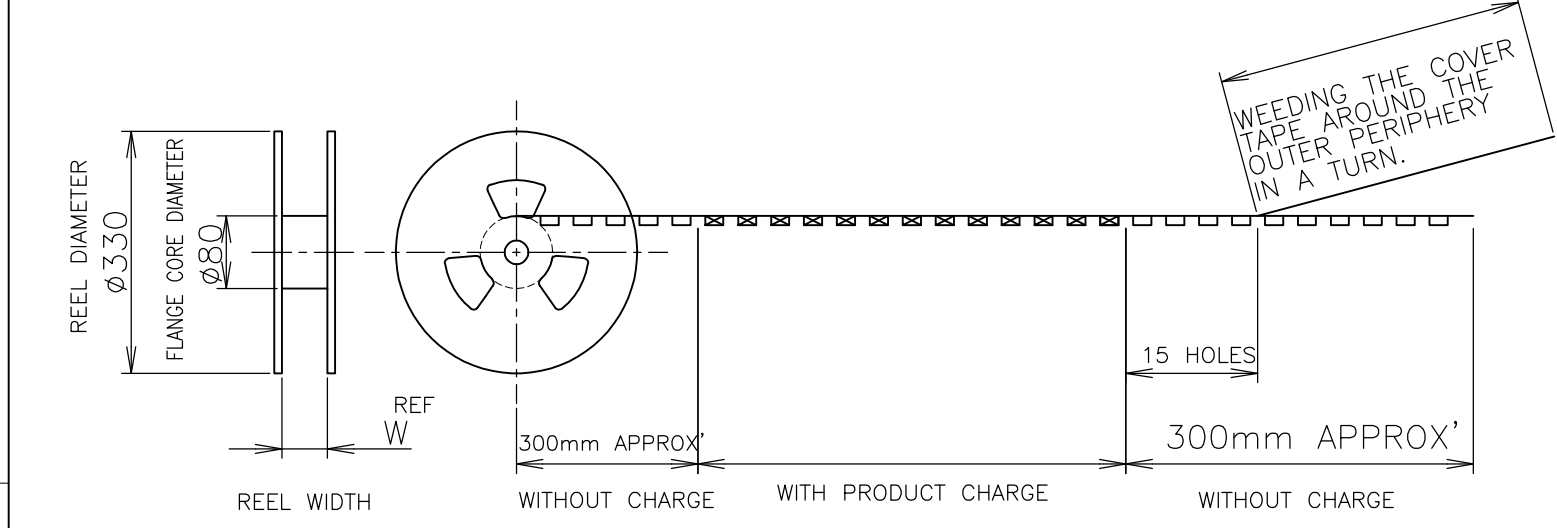
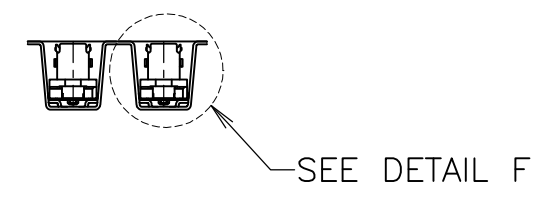
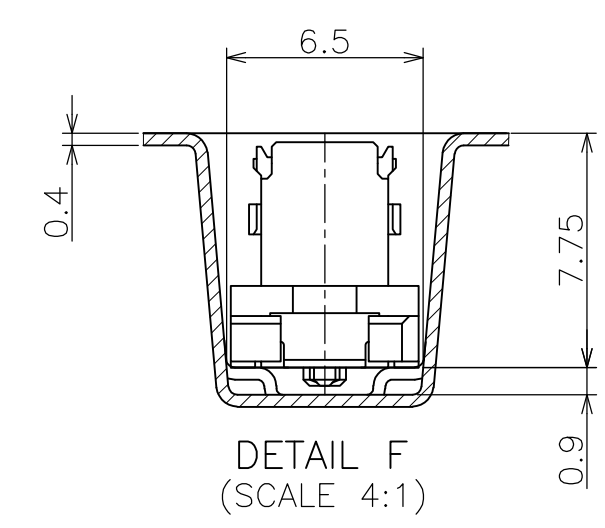
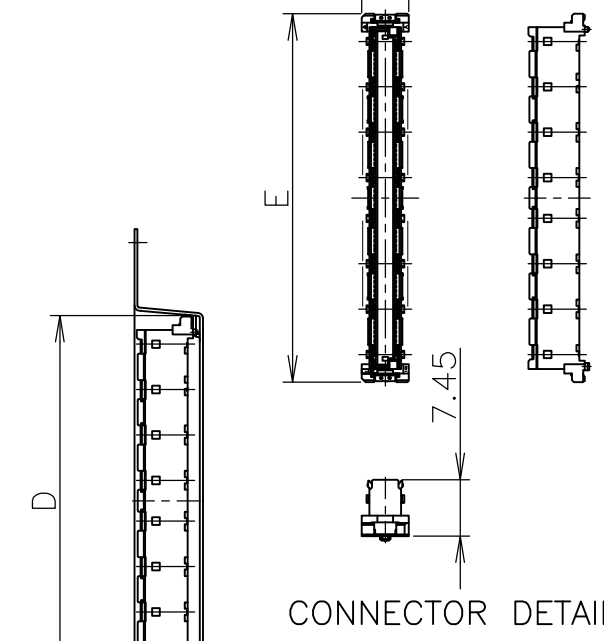
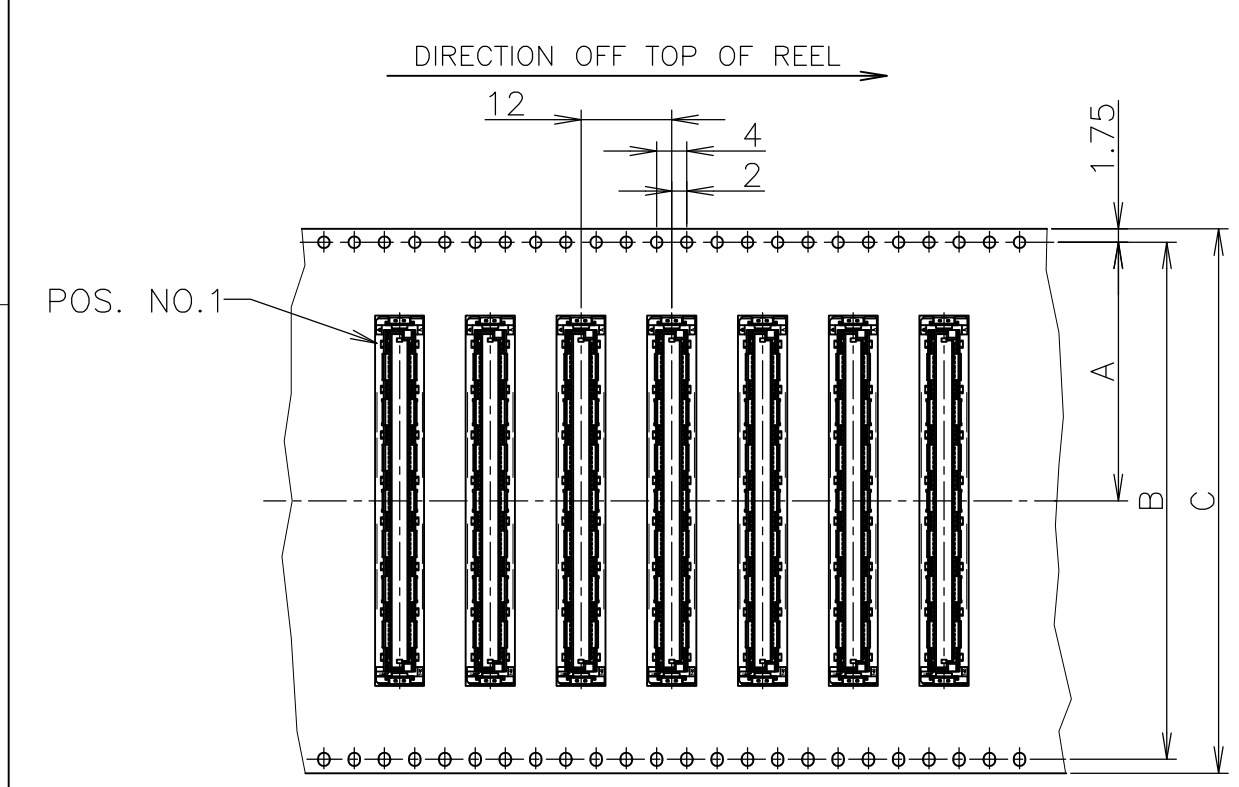


THIS DRAWING IS UNPUBLISHED. RELEASED FOR PUBLICATION JUN , 1996.  
 © COPYRIGHT 1996 BY TYCO ELECTRONICS CORPORATION. ALL RIGHTS RESERVED.

LOC	DIST	REVISIONS					
J		P	LTR	DESCRIPTION	DATE	DWN	APVD
		A	REVISED	ECR-08-000339	01FEB08	T.T	T.F



WEEDING THE COVER TAPE AROUND THE OUTER PERIPHERY IN A TURN.

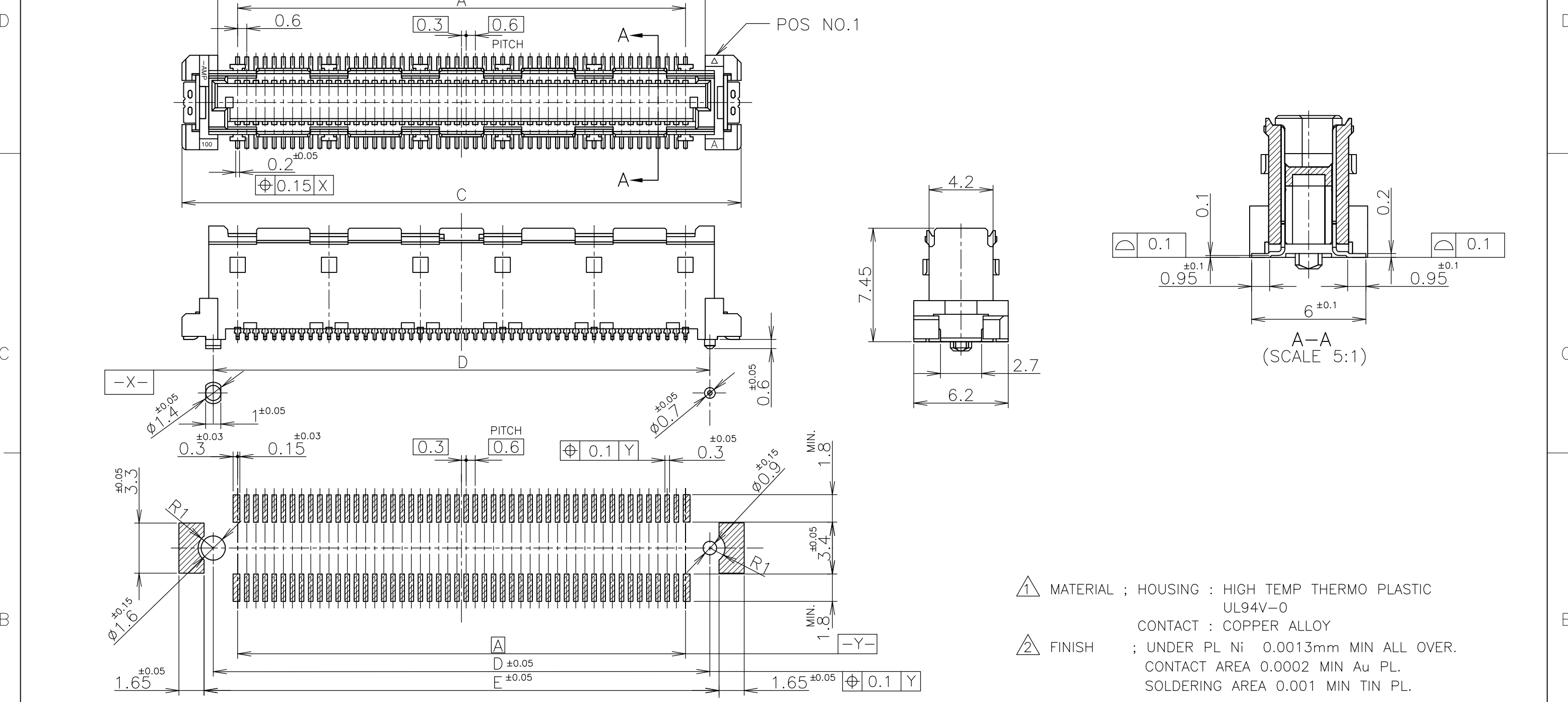
SEALANT	TOOLING STATUS	QTY.	W	E	D	C	B	A	POS.	PART NO.	
											3
NOT AVAILABLE	AVAILABLE	600	77.5	48.7	49	72	68.4	34.2	140	6-	-0
NOT AVAILABLE	NOT AVAILABLE		61.5	42.7	43	56	52.4	26.2	120	5-	-9
			61.5	36.7	37	56	52.4	26.2	100	5-	-8
			61.5	33.7	34	56	52.4	26.2	90	5-	-7
NOT AVAILABLE	NOT AVAILABLE		49.5	30.7	31	44	40.4	20.2	80	5-	-6
AVAILABLE	AVAILABLE		49.5	27.7	28	44	40.4	20.2	70	5-	-5
NOT AVAILABLE	NOT AVAILABLE		49.5	24.7	25	44	40.4	20.2	60	5-	-4
			37.5	21.7	22	32	28.4	14.2	50	5-	-3
			37.5	18.7	19	32	28.4	14.2	40	5-	-2
NOT AVAILABLE	NOT AVAILABLE	600	29.5	15.7	16	24	11.5	30	5-5353187-1		
NON SEALANT	TOOLING STATUS	QTY.	W	E	D	C	B	A	POS.	PART NO.	
AVAILABLE	AVAILABLE	600	77.5	54.7	55	72	68.4	34.2	160	1-5353187-1	
AVAILABLE	AVAILABLE		77.5	48.7	49	72	68.4	34.2	140	1-	-0
NOT AVAILABLE	NOT AVAILABLE		61.5	42.7	43	56	52.4	26.2	120		-9
			61.5	36.7	37	56	52.4	26.2	100		-8
			61.5	33.7	34	56	52.4	26.2	90		-7
			49.5	30.7	31	44	40.4	20.2	80		-6
			49.5	27.7	28	44	40.4	20.2	70		-5
			49.5	24.7	25	44	40.4	20.2	60		-4
			37.5	21.7	22	32	28.4	14.2	50		-3
			37.5	18.7	19	32	28.4	14.2	40		-2
NOT AVAILABLE	NOT AVAILABLE	600	29.5	15.7	16	24	11.5	30	5353187-1		

3 THIS PRODUCT WAS COATED BY FLUX-PENETRATION -INHIBITING AGENT.

THIS DRAWING IS A CONTROLLED DOCUMENT.		DWN HAWKING HE 20DEC04	Tyco Electronics Corporation Kawasaki, Japan	
DIMENSIONS: 单位: 耗 mm		CHK STEVEN YAO 20DEC04	NAME 名称	
TOLERANCES UNLESS OTHERWISE SPECIFIED: 一般公差		APVD I.ENOMOTO 20DEC04	EMBOSS ASSY	
0 PLC ± 0.2		PRODUCT SPEC 製品規格	FH 0.6BTB CONNECTOR	
1 PLC ± 0.2		APPLICATION SPEC 取付適用規格	PLUG 8H STD TYPE	
2 PLC ± 0.2		WEIGHT	SIZE A3	CAGE CODE 00779
3 PLC ± 0.2			DRAWING NO G-5353187	RESTRICTED TO
4 PLC ± 0.2				
ANGLES ± 5'				
FINISH 仕上				
MATERIAL 材料				
		CUSTOMER DRAWING		SCALE 1:1 SHEET 1 OF 2 REV A

THIS DRAWING IS UNPUBLISHED. RELEASED FOR PUBLICATION JUN , 1996.  
 © COPYRIGHT 1996 BY TYCO ELECTRONICS CORPORATION. ALL RIGHTS RESERVED.

LOC	DIST	REVISIONS		
		P	LTR	DESCRIPTION
J		-	-	SEE SHEET 1
				DATE
				DWN
				APVD



- 1 MATERIAL ; HOUSING : HIGH TEMP THERMO PLASTIC UL94V-0  
CONTACT : COPPER ALLOY
- 2 FINISH ; UNDER PL Ni 0.0013mm MIN ALL OVER.  
CONTACT AREA 0.0002 MIN Au PL.  
SOLDERING AREA 0.001 MIN TIN PL.

REFERENCE P.C.BOARD LAYOUT  
(VIEW FROM CONN. MOUNTING SIDE)

AVAILABLE	51.8	50.6	54.7	50	47.4	160
AVAILABLE	45.8	44.6	48.7	44	41.4	140
NOT AVAILABLE	39.8	38.6	42.7	38	35.4	120
AVAILABLE	33.8	32.6	36.7	32	29.4	100
NOT AVAILABLE	30.8	29.6	33.7	29	26.4	90
NOT AVAILABLE	27.8	26.6	30.7	26	23.4	80
AVAILABLE	24.8	23.6	27.7	23	20.4	70
NOT AVAILABLE	21.8	20.6	24.7	20	17.4	60
↑	19.8	17.6	21.7	17	14.4	50
↑	15.8	14.6	18.7	14	11.4	40
NOT AVAILABLE	12.8	11.6	15.7	11	8.4	30
TOOLING STATUS	E	D	C	B	A	POS

GENERAL TOLERANCE  
一般公差

10 ≥ ±0.2  
30 ≥ >10: ±0.25  
100 ≥ >30: ±0.3  
ANGLES: ±3°

THIS DRAWING IS A CONTROLLED DOCUMENT.		DWN	Tyco Electronics Corporation Kawasaki, Japan	
DIMENSIONS: 単位: 耗 mm		CHK	NAME 名称	
TOLERANCES UNLESS OTHERWISE SPECIFIED: 一般公差		APVD	EMBOSS ASSY FH 0.6BTB CONNECTOR PLUG 8H STD TYPE	
0 PLC ± - 1 PLC ± - 2 PLC ± - 3 PLC ± - 4 PLC ± - ANGLES ± -		PRODUCT SPEC 製品規格	SIZE	CAGE CODE
MATERIAL 材料		APPLICATION SPEC 取付適用規格	A3	00779
FINISH 仕上		WEIGHT	DRAWING NO 番号	RESTRICTED TO
1		G-5353187		
2		CUSTOMER DRAWING		SCALE 尺度 4:1
		SHEET 2 OF 2		REV A